

# SimFlame

LMHP511 – High Power Simulated Flame Module

# SimFlame Lamp Flicker Module

visit – [www.simflame.com](http://www.simflame.com) for additional information

Model: LMHP511

## Features:

Non-repeating flame effect.

8 Flame effect settings.

1 Watt minimum.

1000 Watts maximum.

Selectable Normal, By-Pass or Stealth operation.

Seed starting number easily changed.

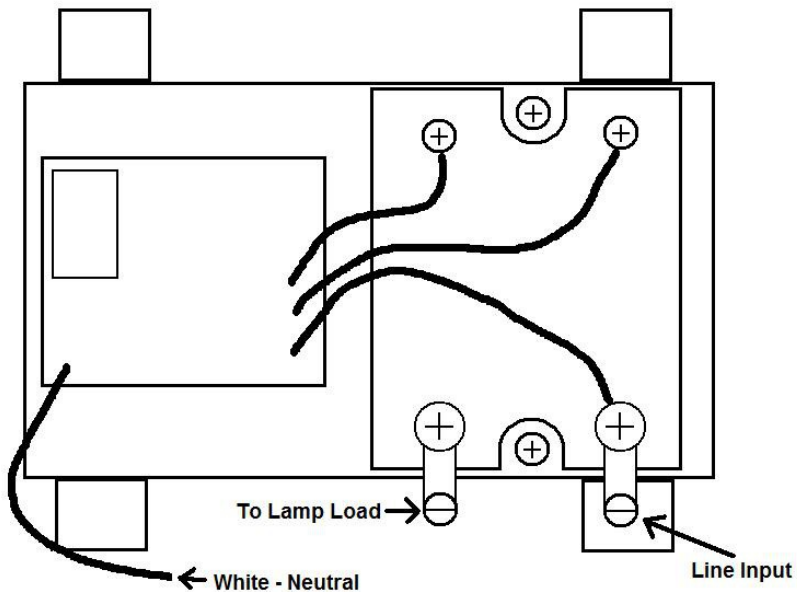
Over temperature sensor.

Low power consumption.

Operates on 100 – 130 VAC @ 60 cycles.

Module is fireproof epoxy encased.

1 Year warranty.



**Switch Settings:**

Switch #1 – depth of flicker:

- a) down = subtle
- b) up = deep

Switch #2 – speed of flicker:

- a) down = slow
- b) up = fast

Switch #3 – average intensity:

- a) down = dim
- b) up = bright

Switch #4 – temperature sensor:

- a) down = on
- b) up = off

**Option Switches:**

<u>Operation</u>	<u>Switch #5</u>	<u>Switch #6</u>
Normal	down	down
By-Pass	up	down
Stealth	down	up
Seed change	up	up

**Operation:**

Normal mode – lamp will always flicker when powered.

By-Pass mode – lamp flickers normally when first powered, briefly interrupt power to bring lamp to full brightness.

Stealth mode – lamp is at full brightness when first powered, briefly interrupt power to flicker lamp.

The module must remain unpowered for 5 or more seconds to reset all operation conditions. Switches 5 and 6 are only read when module is first powered.

**Seed Number Change:**

To change the seed numbers – switches 5 and 6 must be up (or on), power the module normally, after operating the module for a short time, briefly interrupt the power, the lamp will flash a few times indicating the process was successful then return to normal flicker, power module off then set switches 5 and 6 to desired settings.

## Disclaimer and Warranty

Jerry's Electronics LLC warrants all Simflame™ products to be free of functional defects, assuming proper application and normal use, for a period of one (1) year from date of purchase. The company will correct such defects by repair or replacement, at its option, if product is returned prepaid with proof of original purchase date. Please note that defects resulting from miswire, short circuit or output overload may be verified by factory tests and are specifically excluded from warranty.

Except for the express warranty set forth above, Jerry's Electronics LLC grants no other warranties, express or implied, by statute or otherwise, regarding Simflame products, their merchantability, fitness for any particular purpose or otherwise. In no event shall Jerry's Electronics LLC or any agent or reseller be liable for any other loss or damage, including special or consequential damages that may arise through the use by a purchaser or others, and the purchaser assumes and will hold Jerry's Electronics LLC harmless in respect of all such loss.